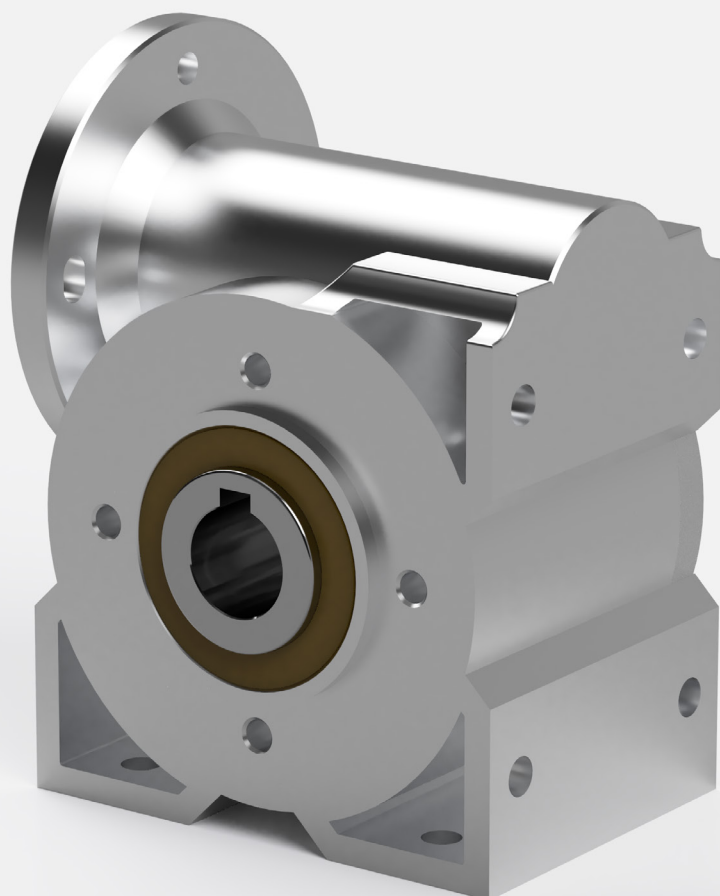


WORM GEARS / WORM GEARED MOTORS

PRODUCT BROCHURE



SN5 VH

MODULAR SYSTEM
// Preconfigured drive solutions

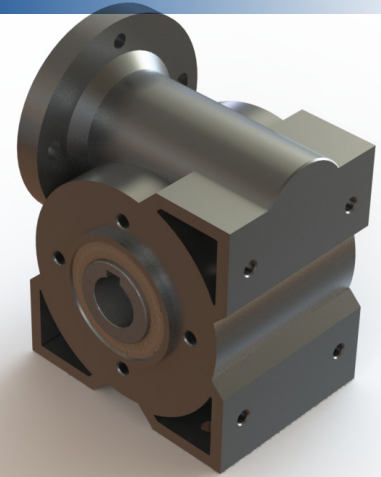
08.2020



RUHRGETRIEBE

GENERAL INFORMATION

Housing material	Cast aluminium housing
Output flange	Bolt circle - Ø 50 mm - 4x M5 Centering - Ø 40 mm
Output shaft	Hollow shaft - Ø 15 mm
Solid output shaft	left, right or pluggable double-sided
Mounting position	Various mounting positions
Dimensions	75x62x80 mm
Weight	850 g
Lubricant	Oil lubrication for lifetime; NSF-H1 „food lubrication“



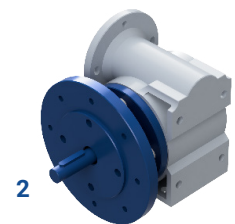
PERFORMANCE DATA

Motor power range	W	32 - 120
Gear ratios	i	7 - 55:1
Number of stages		1
Output speed	min ⁻¹	28 - 400
Max. permissible output torques	Nm	11 - 12

OPTIONS

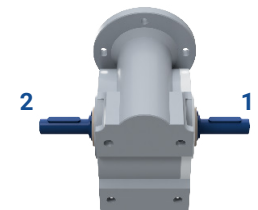
Output flange

Dimensions	mm	Ø 100x80x60
Mounting option	[-]	left or right
Groove	mm	4
Flange drilling	mm	M5 / M6
Position		1 - right 2 - left (as figure)



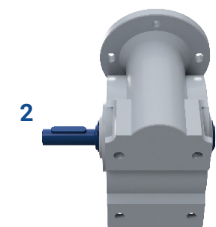
Double-sided output shaft

Diameter	mm	Ø 10x30
Groove	mm	4
Position		double-sided (1+2)



One-sided output shaft

Dimensions	mm	Ø 10x30
Mounting option	mm	left or right
Groove	mm	4
Position		1 - right 2 - left (as figure)



GEARBOX DATA

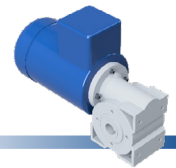
Gear reduction	i	7	10	20	24	30	50	55
Max. permissible torque	Nm	12	11	12	11	12	11	13

Other gear reductions on request

MOTOR DATA

AC-THREE-PHASE

// 230 / 400V



Gear reduction	i	7	10	20	24	30	50	55	
Gear rotation speed	rpm	200	140	70	58	47	28	25	32 Watt // 1400 rpm
Effective torque	Nm	1,2	1,5	2,7	2,6	3,2	4,0	5,2	
Gear rotation speed	rpm	200	140	70	58	47	28	25	45 Watt // 1400 rpm
Effective torque	Nm	1,7	2,1	3,7	3,6	4,5	5,7	7,3	
Gear rotation speed	rpm	200	140	70	58	47	28	25	90 Watt // 1400 rpm
Effective torque	Nm	3,3	4,3	7,5	7,2	9,0	11	15	
Gear rotation speed	rpm	400	280	140	117	93	56	51	90 Watt // 2800 rpm
Effective torque	Nm	1,7	2,2	3,9	4,0	4,9	6,1	7,5	
Gear rotation speed	rpm	400	280	140	117	93	56	51	120 Watt // 2800 rpm
Effective torque	Nm	2,3	3,0	5,2	5,3	6,5	8,2	10	

Do not load above the max. permissible torque!

DIRECT-CURRENT

// 180 / 200V

Gear reduction	i	7	10	20	24	30	50	55	
Gear rotation speed	rpm	429	300	150	125	100	60	55	120 Watt // 3000 rpm
Effective torque	Nm	2,1	2,8	4,9	5,0	6,1	7,6	9,7	

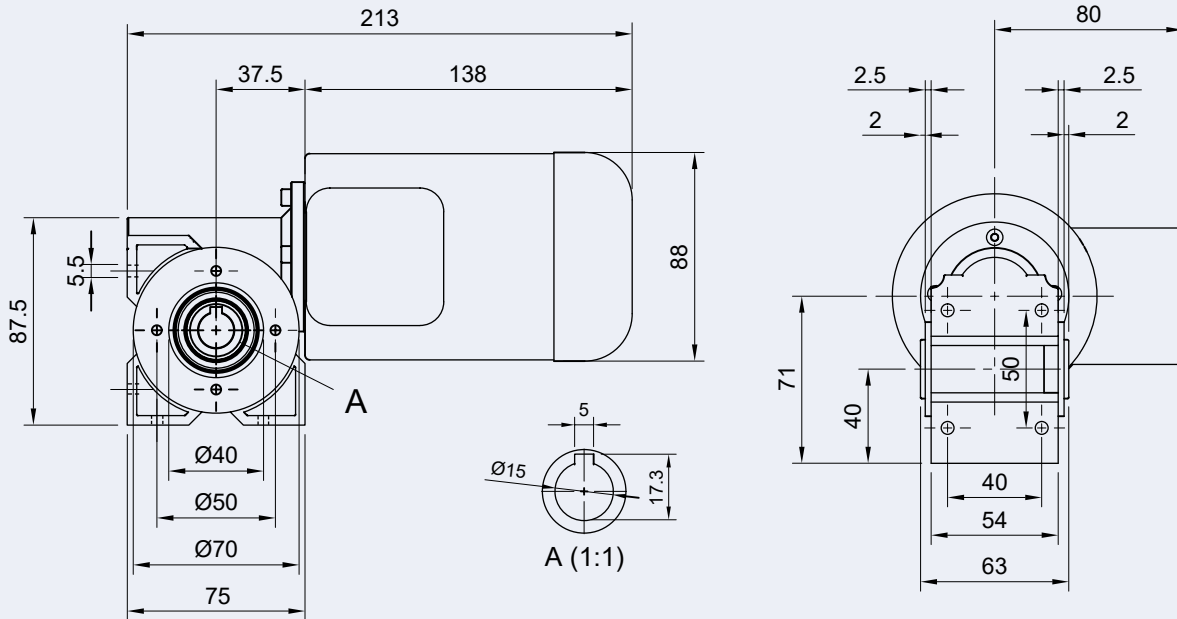
DC-PERMANENT MAGNET

// 24V

Gear reduction	i	7	10	20	24	30	50	55	
Gear rotation speed	rpm	429	300	150	125	100	60	55	57 Watt // 3000 rpm
Effective torque	Nm	1,0	1,3	2,2	2,4	2,9	3,6	4,6	
Gear rotation speed	rpm	429	300	150	125	100	60	55	90 Watt // 3000 rpm
Effective torque	Nm	1,6	2,1	3,7	3,7	4,6	5,7	7,2	
Gear rotation speed	rpm	471	330	165	138	110	66	60	93 Watt // 3300 rpm
Effective torque	Nm	1,5	2,0	3,4	3,5	4,3	5,4	6,8	

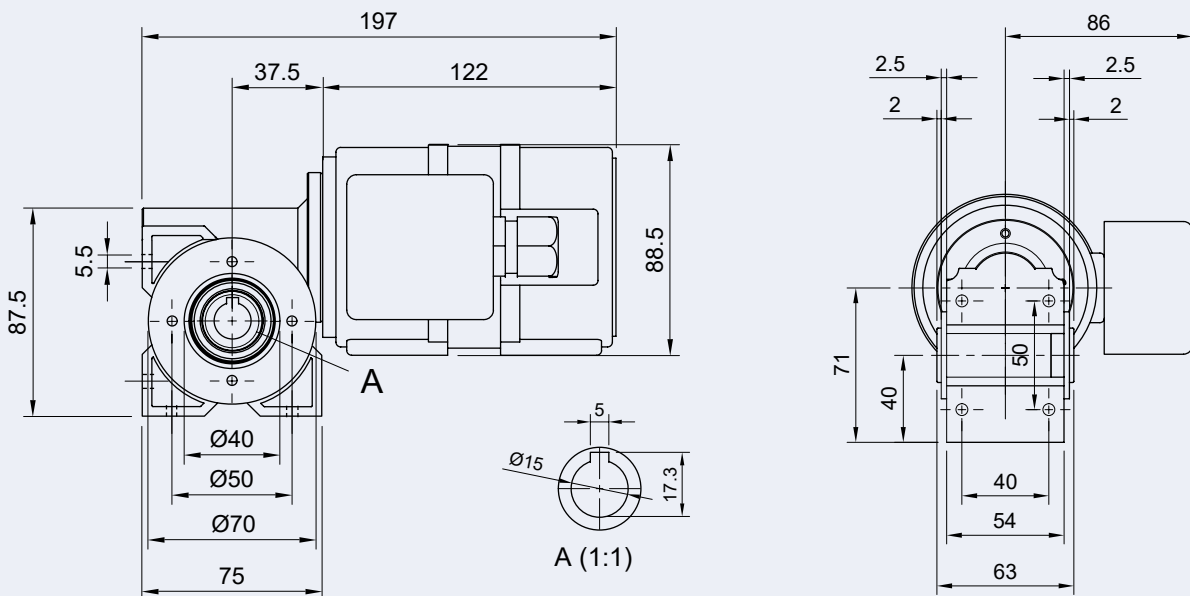
32 Watt

// 1400 rpm

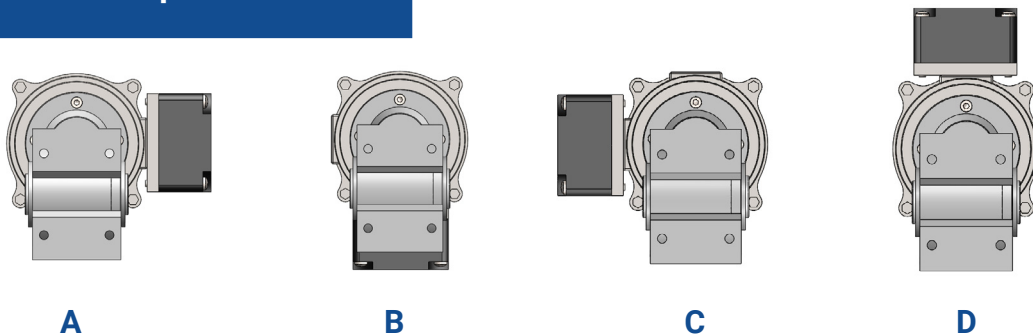


45 Watt

// 1400 rpm

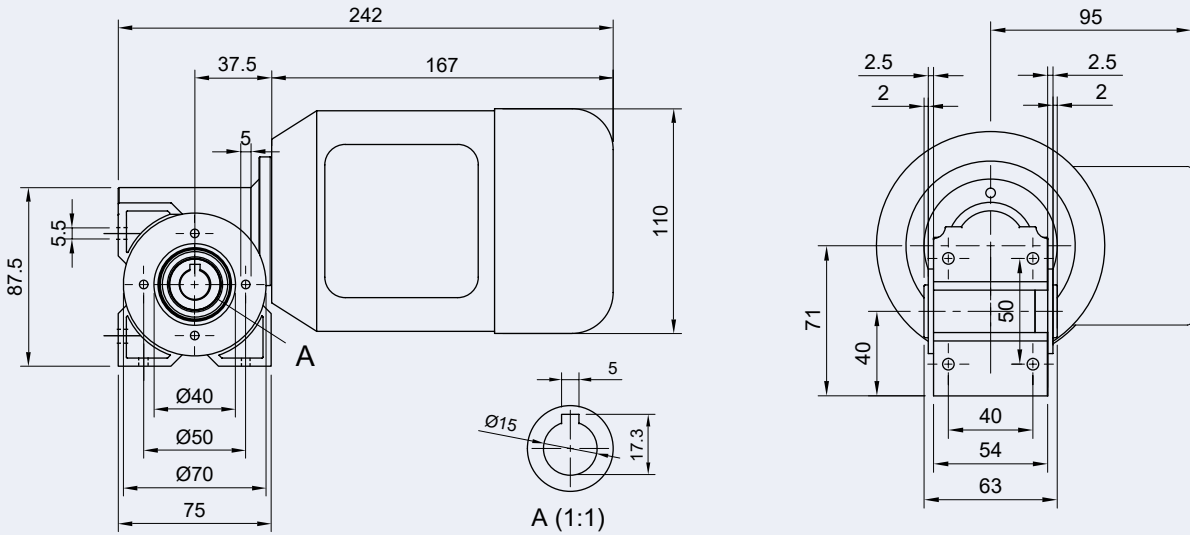


Terminal box positions



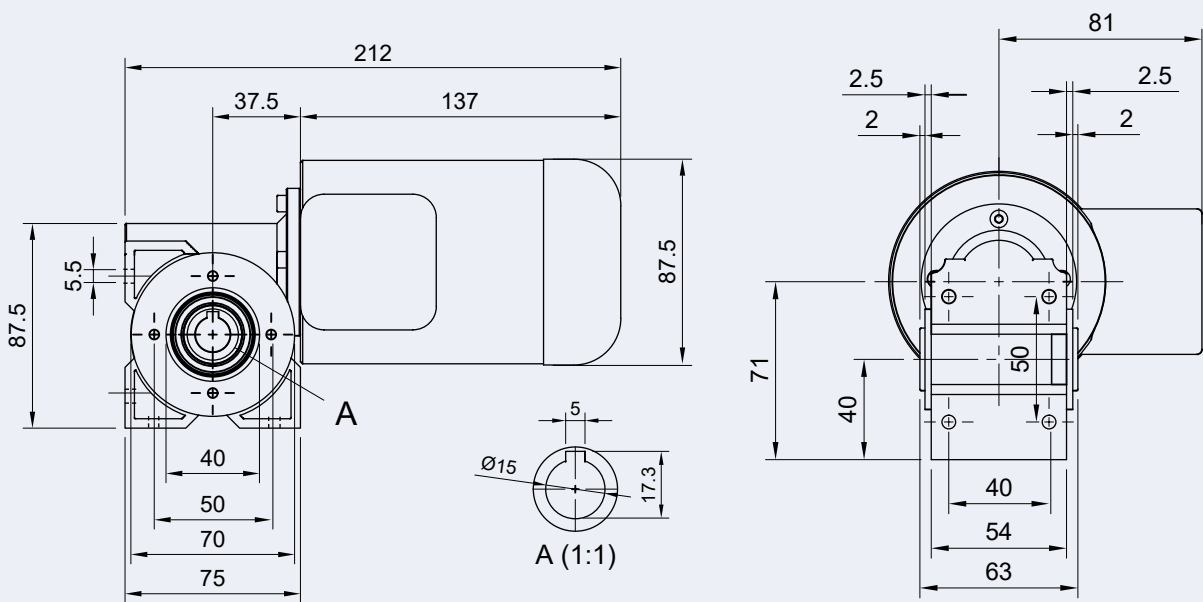
90 Watt

// 1400 rpm

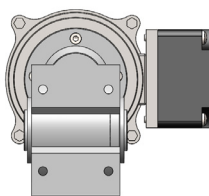


90 Watt

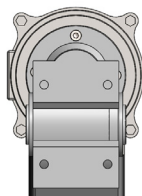
// 2800 rpm



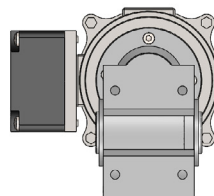
Terminal box positions



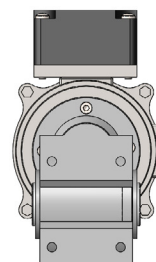
A



B



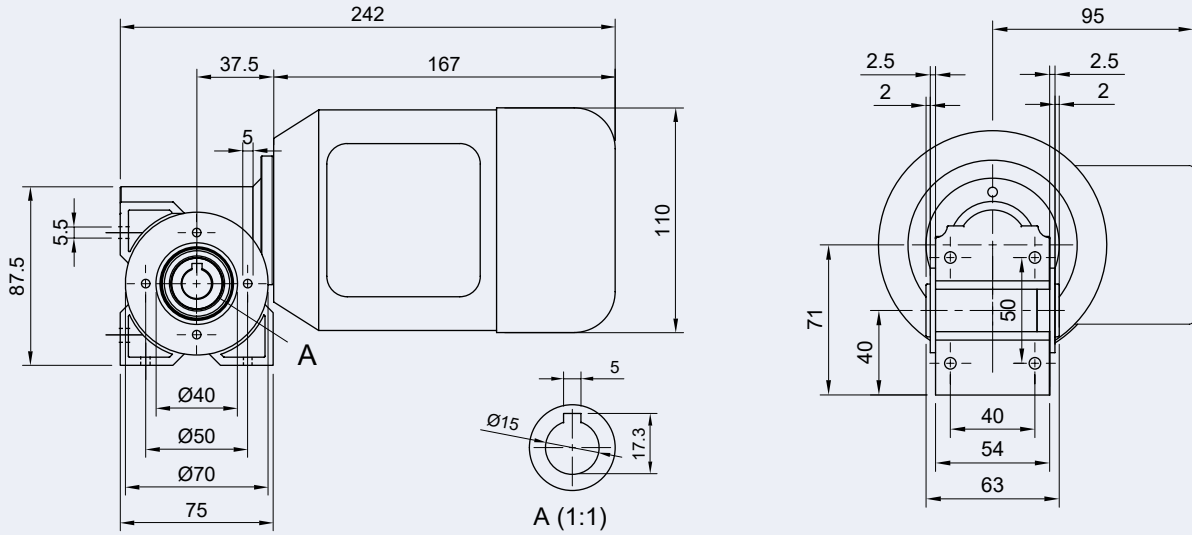
C



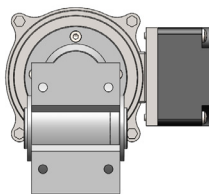
D

120 Watt

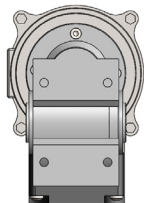
// 2800 rpm



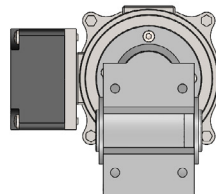
Terminal box positions



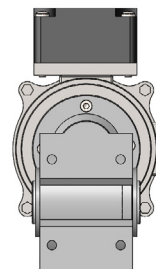
A



B



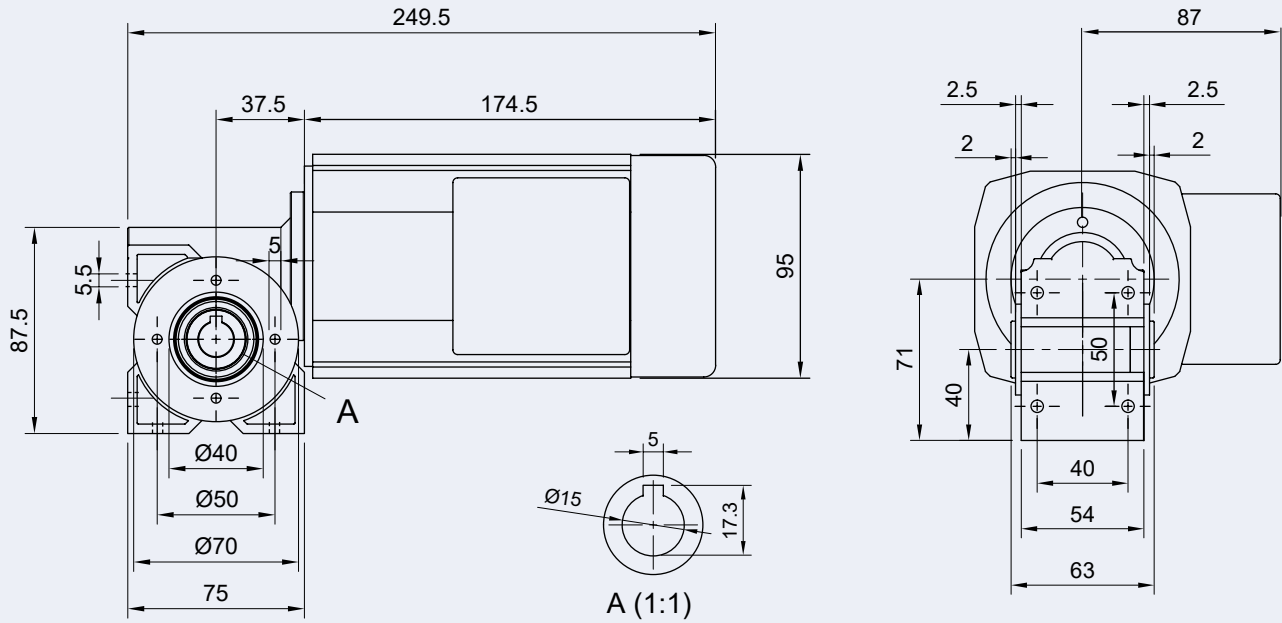
C



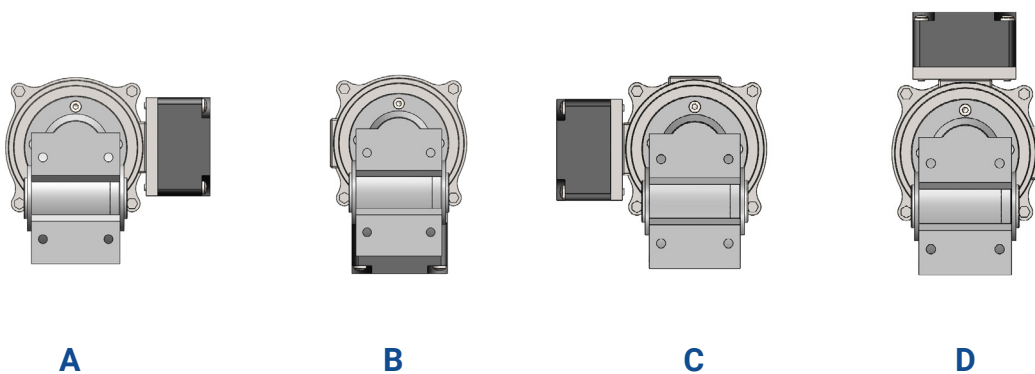
D

120 Watt

// 3000 rpm

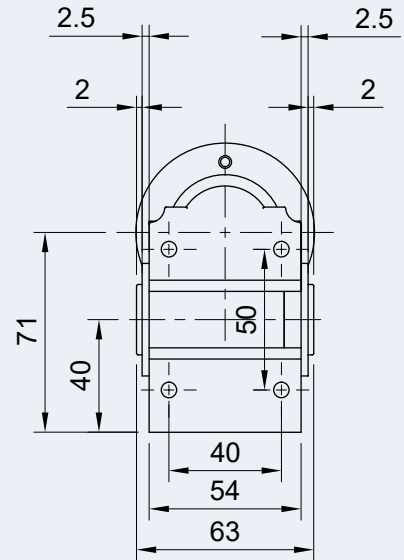
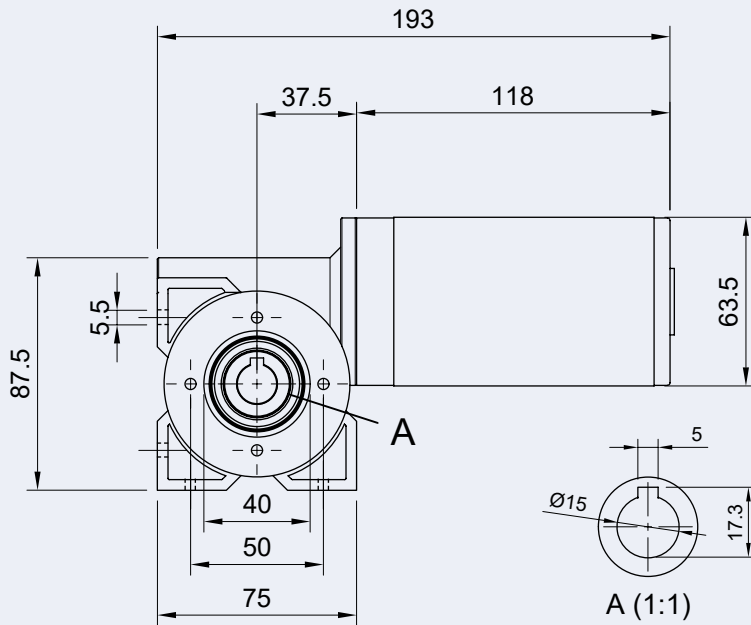


Terminal box positions



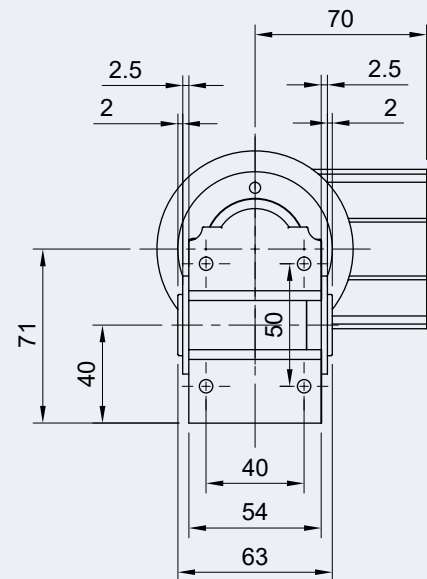
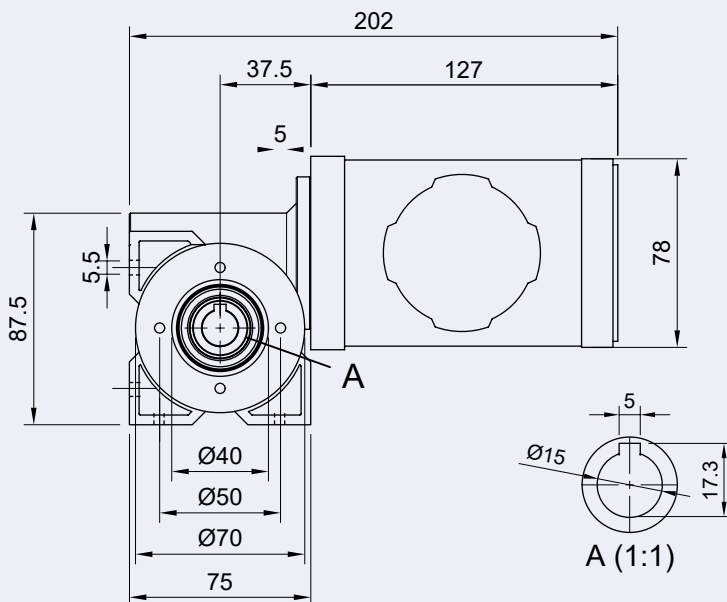
57 Watt

// 3000 rpm



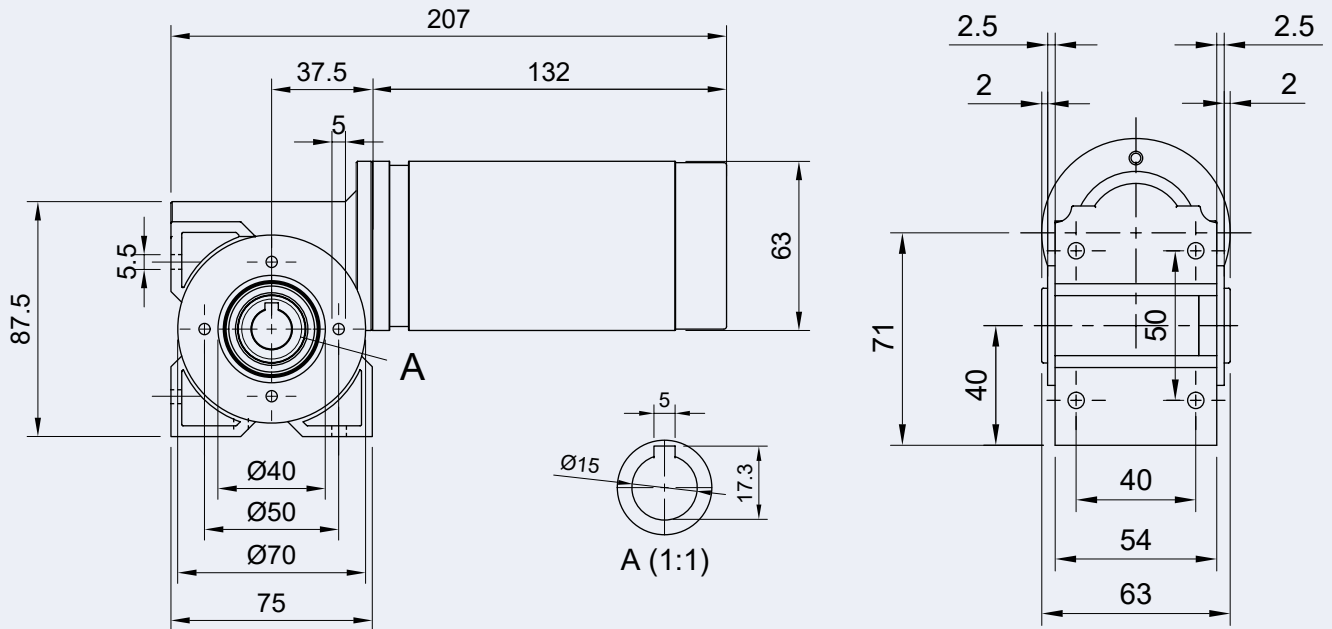
90 Watt

// 3000 rpm

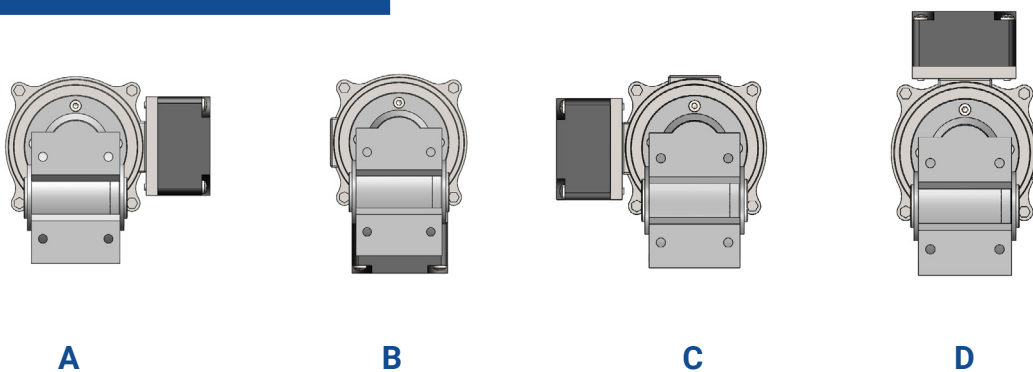


93 Watt

// 3300 rpm



Terminal box positions





We move your ideas - worldwide.

RUHRGETRIEBE KG

Am Förderturm 29
D-45472 Mülheim an der Ruhr

Phone +49 208 780 68-0
info@ruhrgetriebe.de
www.ruhrgetriebe.de



RUHRGETRIEBE